

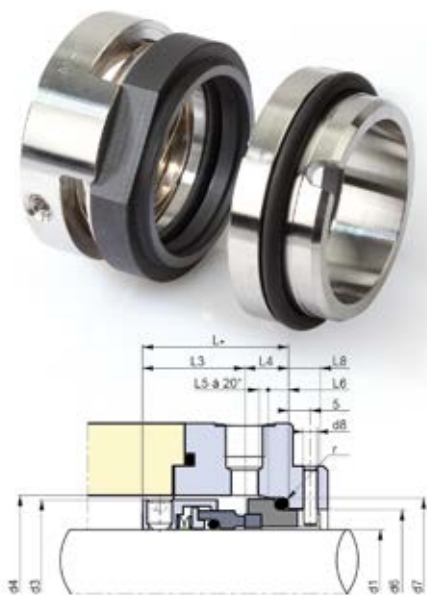
Single-seal

LATTYSEAL U 6812

Dynamic sealing through complete, unbalanced mechanical seal

REMOVABLE FRICTION FACE - FDA-APPROVED STANDARD VERSION

- UNBALANCED VERSION
- COMPACT SIZE
- MULTIPURPOSE



OPERATING PARAMETERS (NOT ASSOCIATED)

Pressure : 0 to 10 bar
Temperature : -20 °C to 220°C
Speed : 15 m/s

COMPOSITION

Supplied with FKM O-ring and a kit of ethylene-propylene (E) O-rings
Friction faces made of resin-impregnated carbon (B)/ pure silicon carbide (U6) or pure silicon carbide (U6) / pure silicon carbide(U6)

TYPES OF INDUSTRIES



FLUIDS

All slightly corrosive, non-abrasive and non-clogging fluids.

GUIDELINES, STANDARDS AND APPROVALS

CE (ON REQUEST) FDA (ON REQUEST)

d1 nominal h6	d3 (U) maxi	d4 (U) mini	d6 H 11	d7 H 8	L	L3	L4	LS ± 0,1	L6 ± 0,1	L8
16	26	28	23	27	28	20	8	2	5	7.5
18	32	34	27	33	30.5	21.5	9	2	5	7.5
20	34	36	29	35	31.5	21.5	10	2	5	7.5
22	36	38	31	37	31.5	21.5	10	2	5	7.5
24	38	40	33	39	33.5	23	10.5	2	5	7.5
25	39	41	34	40	34.5	24	10.5	2	5	7.5
28	42	44	37	43	33.5	23	10.5	2	5	7
30	44	46	39	45	35.5	24	11.5	2	5	7.5
32	46	48	42	48	35.5	24	11.5	2	5	7.5
33	47	49	42	48	35	24	11	2	5	7.5
35	49	51	44	50	35	24	11	2	5	7.5
38	54	58	49	56	38.5	26.5	12	2	6	8.5
40	56	60	51	58	40	27.5	12.5	2	6	8.5
43	59	63	54	61	40	27.5	12.5	2	6	8.5
45	61	65	56	63	40	27.5	12.5	2	6	8.5
48	64	68	59	66	40	27.5	12.5	2	6	8.5
50	66	70	62	70	40.5	27	13.5	2.5	6	8
53	69	73	65	73	40.5	27	13.5	2.5	6	8
55	71	75	67	75	40.5	27	13.5	2.5	6	8
58	78	83	70	78	43	28.5	14.5	2.5	6	8
60	80	85	72	80	43	28.5	14.5	2.5	6	8
63	83	88	75	83	47	31.5	15.5	2.5	6	8
65	85	90	77	85	47	31.5	15.5	2.5	6	8
68	88	93	81	90	49	33.5	15.5	2.5	7	8
70	90	95	83	92	47.5	32	15.5	2.5	7	8
75	99	104	88	97	47.5	32	15.5	2.5	7	8.2
80	104	109	95	105	49	33	16	3	7	8
85	109	114	100	110	48	32	16	3	7	8
90	114	119	105	115	55	38	17	3	8	8
95	119	124	110	120	56	38	18	3	8	8
100	124	129	115	125	56	38	18	3	8	8

Complies with NFE 29991 and DIN 24960 except for L* which is less than the L1K in the standards. Adaptor rings can be supplied if required. d8 (tigh to sleeve) : 3 mm for d1 16 to 35, 4 mm for d1 38 to 100. r : 1,6 mm for d1 16 to 55, 2,5 mm for d1 58 to 100

The maximum temperature, pressure and speed given in this document cannot be associated in any case.

