

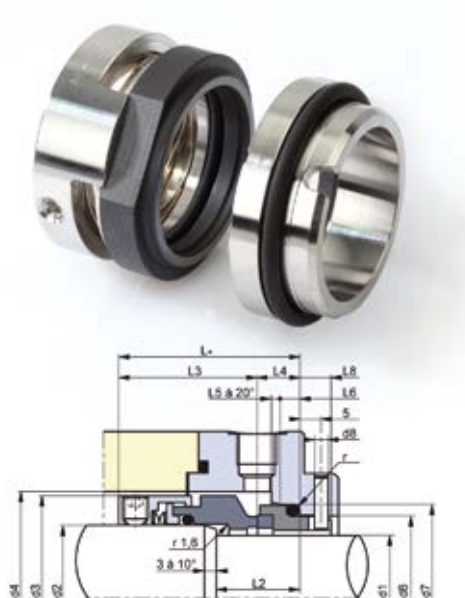
Single-seal

LATTYSEAL B 6812

Dynamic sealing through complete, balanced mechanical seal

REMOVABLE FRICTION FACE

- BALANCED VERSION
- COMPACT SIZE
- MULTIPURPOSE USE



OPERATING PARAMETERS (NOT ASSOCIATED)

Pressure : 10 to 25 bar
Temperature : -20 °C to 220°C
Speed : 25 m/s

COMPOSITION

Supplied with FKM O-ring and a kit of ethylene-propylene (E) O-rings
Friction faces made of resin-impregnated carbon (B)/ pure silicon carbide (U6) or pure silicon carbide (U6) / pure silicon carbide (U6)

TYPES OF INDUSTRIES



FLUIDS

All slightly corrosive, non-abrasive and non-clogging fluids.

GUIDELINES, STANDARDS AND APPROVALS (ON REQUEST)



d1 nominal h6	d2 h6	d3 (B) maxi	d4 (B) mini	d6 H11	d7 H8	L*	L2 ± 0,5	L3	L4	L5 ± 0,1	L6 ± 0,1	L8
18	22	36	38	27	33	30.5	20	29.5	9	2	5	7.5
20	24	38	40	29	35	31.5	20	32.5	10	2	5	7.5
22	26	40	42	31	37	31.5	20	33.5	10	2	5	7.5
24	28	42	44	33	39	33.5	20	33	10.5	2	5	7.5
25	30	44	46	34	40	34.5	20	34	10.5	2	5	7.5
28	33	47	49	37	43	33.5	20	33	10.5	2	5	7
30	35	49	51	39	45	35.5	20	33	11.5	2	5	7.5
32	38	54	58	42	48	35.5	20	34	11.5	2	5	7.5
33	38	54	58	42	48	35	20	34	11	2	5	7.5
35	40	56	60	44	50	35	20	35	11	2	5	7.5
38	43	59	63	49	56	38.5	23	37.5	12	2	6	8.5
40	45	61	65	51	58	40	23	37.5	12.5	2	6	8.5
43	48	64	68	54	61	40	23	37.5	12.5	2	6	8.5
45	50	66	70	56	63	40	23	37.5	12.5	2	6	8.5
48	53	69	73	59	66	40	23	37.5	12.5	2	6	8.5
50	55	71	75	62	70	40.5	25	38	13.5	2.5	6	8
53	58	78	83	65	73	40.5	25	39	13.5	2.5	6	8
55	60	80	85	67	75	40.5	25	39	13.5	2.5	6	8
58	63	83	88	70	78	43	25	41.5	14.5	2.5	6	8
60	65	85	90	72	80	43	25	41.5	14.5	2.5	6	8
63	68	88	93	75	83	47	25	41.5	15.5	2.5	6	8
65	70	90	95	77	85	47	25	41.5	15.5	2.5	6	8
70	75	99	104	83	92	47.5	28	43	15.5	2.5	7	8
75	80	104	109	88	97	47.5	28	44	15.5	2.5	7	8.2
80	85	109	114	95	105	49	28	44	16	3	7	8
85	90	114	119	100	110	48	28	50	16	3	7	8
90	95	119	124	105	115	55	28	50	17	3	7	8
95	100	124	129	110	120	56	28	50	18	3	7	8
100	105	129	134	115	125	56	28	50	18	3	7	7.8

Complies with NFE 29991 and DIN 24960 except for L* which is less than the L1K in the standards. Adaptor rings can be supplied if required. d8 (tight to sleeve) : 3 mm for d1 18 to 35, 4 mm for d1 38 to 100. r : 1.6 mm for d1 18 to 55, 2.5 mm for d1 58 to 100

The maximum temperature, pressure and speed given in this document cannot be associated in any case.