

Single-seal

LATTYSEAL B 17210 HT

Dynamic sealing through complete, balanced mechanical seal

VERY HIGH TEMPERATURES AND HIGH-ROTATION SPEEDS POSSIBLE

- SELF-CLEANING MECHANICAL SEAL
- BELLOWS MECHANICAL SEAL
- FITTED WITH GRAPHITE GASKET



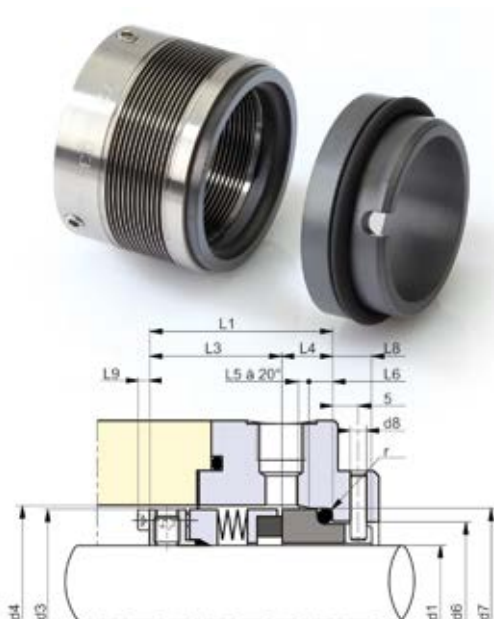
OPERATING PARAMETERS (NOT ASSOCIATED)

Pressure : 0 to 20 bar
Temperature : -20 °C to 400°C
Speed : 25 m/s

COMPOSITION

Supplied with graphite gasket for the rotary part. If $T^{\circ} < 270^{\circ}\text{C}$, supplied for the friction face with FFKM O-ring. If $T^{\circ} > 270^{\circ}\text{C}$, supplied with specific friction face and graphite gasket.

TYPES OF INDUSTRIES



d1 nominal h6	d3	d4 mini	d6* H11	d7* H 8	L1	L3	L4	L5* ±0,1	L6* ± 0,1	L8	L9
25	39.7	41.7	34	40	52.3	42.8	9.5	2	5	7.5	3.2
28	42.8	44.8	37	43	50.2	39.7	10.5	2	5	7	3.2
30	46	48	39	45	50.2	39.7	10.5	2	5	7.5	3.2
32	46	50	42	48	50.2	39.7	10.5	2	5	7.5	3.2
33	46	50	42	48	50.2	39.7	10.5	2	5	7.5	3.2
35	49.2	53.2	44	50	55	44.5	10.5	2	5	7.5	3.2
38	55.1	59.1	49	56	56	44.5	11.5	2	6	8.5	4.2
40	58.3	62.3	51	58	56	44.5	11.5	2	6	8.5	4.2
43	61.5	65.5	54	61	56	44.5	11.5	2	6	8.5	4.2
45	61.5	65.5	56	63	56	44.5	11.5	2	6	8.5	4.2
48	64.6	68.6	59	66	56	44.5	11.5	2	6	8.5	4.2
50	67.8	71.8	62	70	57.5	44.5	13	2.5	6	8	4.2
53	71	76	65	73	57.5	44.5	13	2.5	6	8	4.2
55	74.2	79.2	67	75	60.6	47.6	13	2.5	6	8	4.2
58	77.3	82.3	70	78	61.1	47.6	13.5	2.5	6	8	4.2
60	77.3	82.3	72	80	61.1	47.6	13.5	2.5	6	8	4.2
63	80.9	85.9	75	83	61.1	47.6	13.5	2.5	6	8	4.2
65	84.1	89.1	77	85	61.1	47.6	13.5	2.5	6	8	4.2
68	87.3	92.3	81	90	61.1	47.6	13.5	2.5	7	8	4.2
70	87.3	92.3	83	92	62.6	47.6	15	2.5	7	8	4.2
75	95.3	100.3	88	97	62.6	47.6	15	2.5	7	8	4.8
80	98.4	103.4	95	105	62.6	47.6	15	3	7	8	4.8
85	104.8	109.8	100	110	63.6	47.6	16	3	7	8	4.8
90	108	113	105	115	63.6	47.6	16	3	7	8	4.8
95	114.3	119.3	110	120	63.6	47.6	16	3	7	8	4.8
100	120.7	125.7	115	125	63.6	47.6	16	3	7	8	4.8

Complies with NF E 29991 and DIN 24960 d8 (tight to sleeve) : 3 mm for d1 25 to 35 - 4 mm for d1 38 to 100 r : 1.5 mm for d1 25 to 55 - 2.5 mm for d1 58 to 100.

The maximum temperature, pressure and speed given in this document cannot be associated in any case.